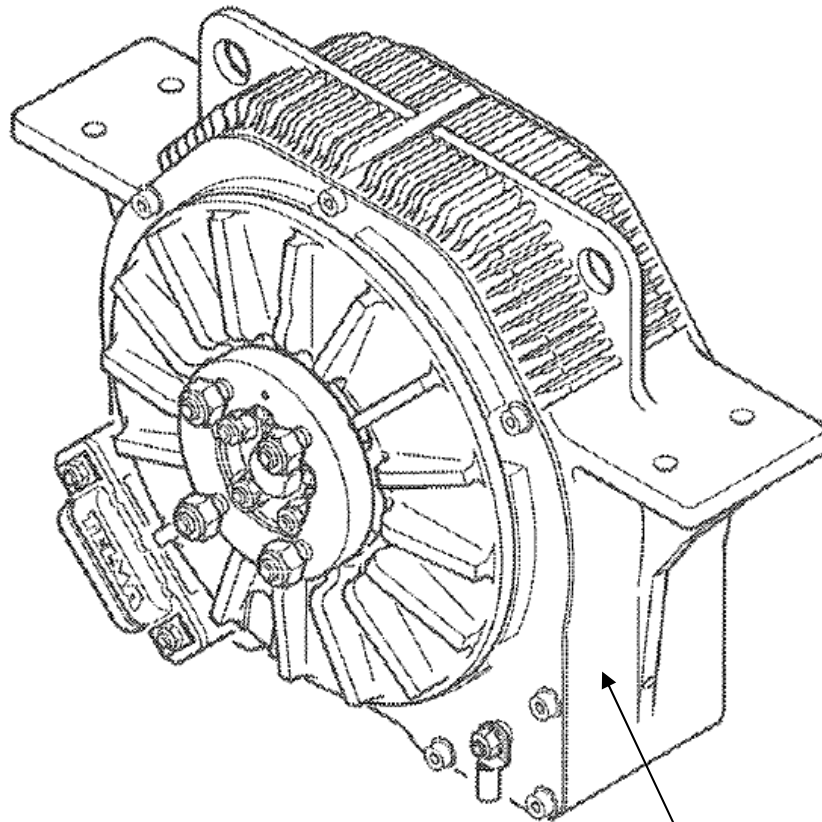


SPARE PARTS CATALOGUE

AXIAL AE30-32 AE30-35 RETARDERS

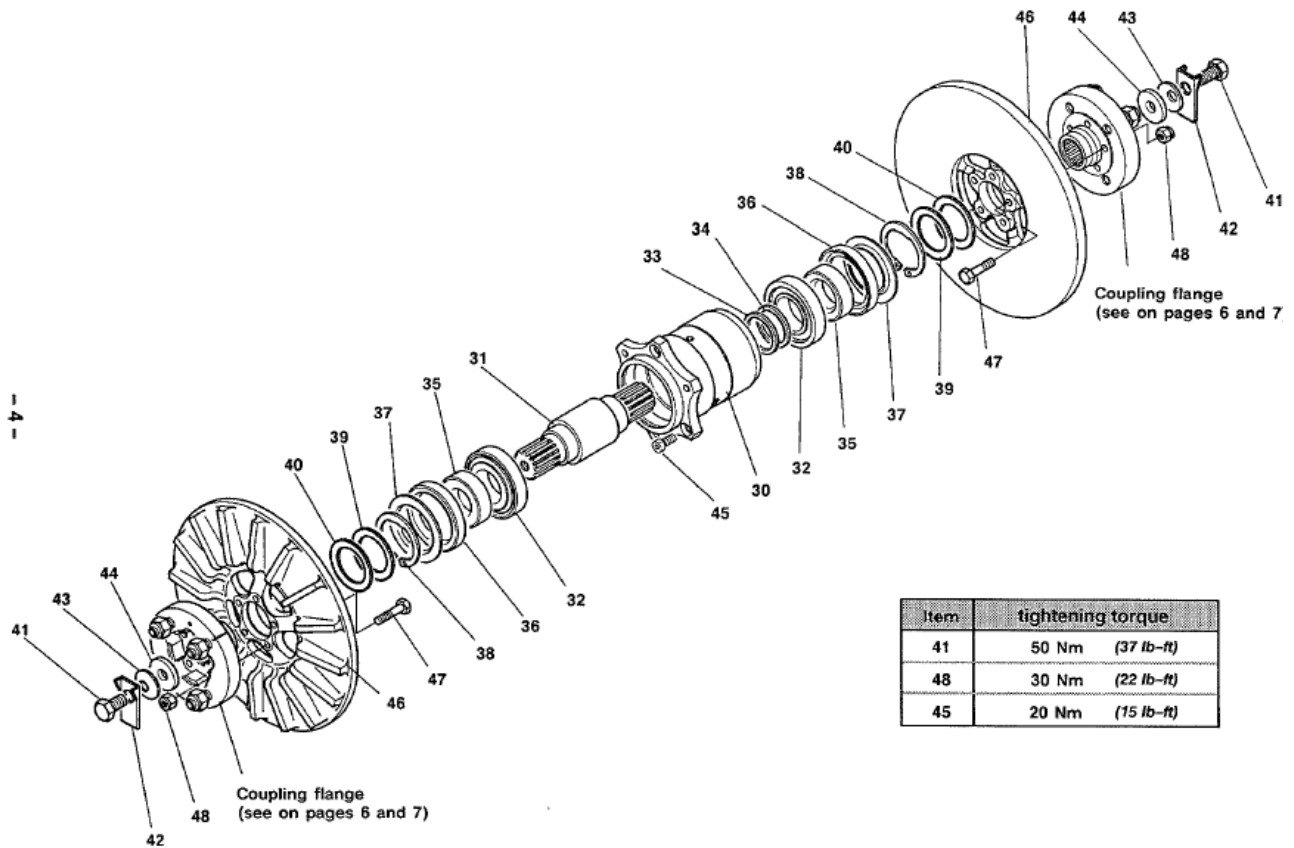
AE30-32
AE30-35

part number = EC3111xx
part number = EC2111xx



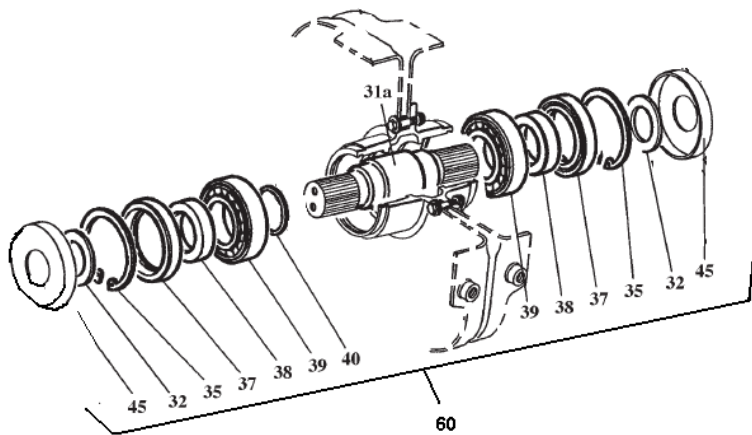
Engraved part number
Engraved serial number

ROTATING COMPONENTS



Item	tightening torque
41	50 Nm (37 lb-ft)
48	30 Nm (22 lb-ft)
45	20 Nm (15 lb-ft)

Complete hub assembly



Lip seal replacement kit



59

Item	Description	Qty	TELMA n°
1	Complete stator with fitted shaft and coils (includes all items except 41-42-43-44-46-47-48-56)	1	VB 107 977 (AE30-32 12V) VB 107 975 (AE30-35 12V) VB 107 976 (AE30-35 24V)
58	Airgap adjusting kit including: 39 + 40 set of airgap adjusting shims 41 screw M12 42 tab washer 43 spring washer 44 pressure washer	1 1 2 2 2 2	11000387 VB 202 044 / VB 515 107 / /
59	Lip seal replacement kit including: 39 + 40 set of airgap adjusting shims 41 screw M12 42 tab washer 43 spring washer 44 pressure washer 35 spacer ring 36 seal with double lip 38 snap ring for bore	1 1 2 2 2 2 2 2 2	VB 107 917 VB 202 044 / VB 515 107 / / / / /
60	Complete hub assembly with fitted shaft including: 39 + 40 set of airgap adjusting shims 41 screw M12 42 tab washer 43 spring washer 44 pressure washer 35 spacer ring 36 seal with double lip 38 snap ring for bore 30 hub 31 shaft 32 tapered roller bearing 45 set of hub fasteners	1 1 2 2 2 2 2 2 2 1 1 2 1	VB 107 555 VB 202 044 / VB 515 107 / / / / / / / / 10000040
46	Set of 2 balanced rotors	1	VB 107 440
47 + 48	Set of 5 screws and nuts for rotor securing to flange	2	VB 202 047

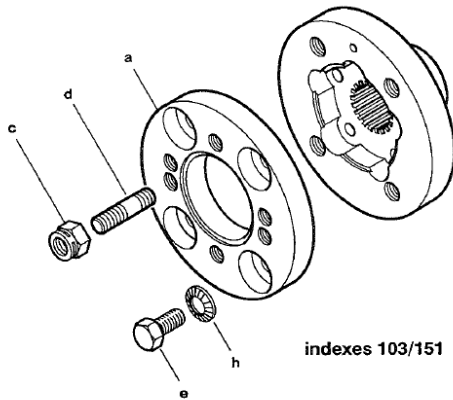


FIGURE 1

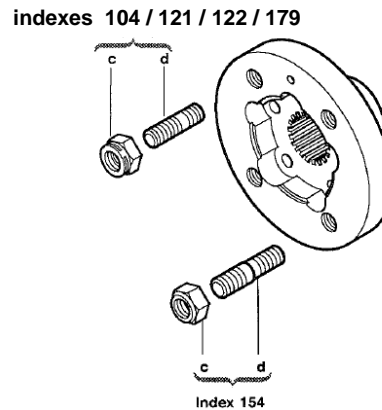


FIGURE 2

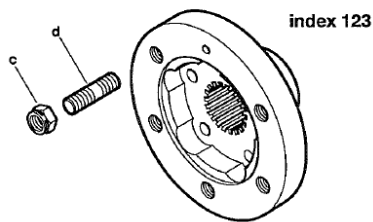


FIGURE 3

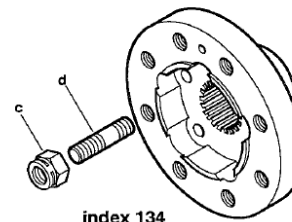
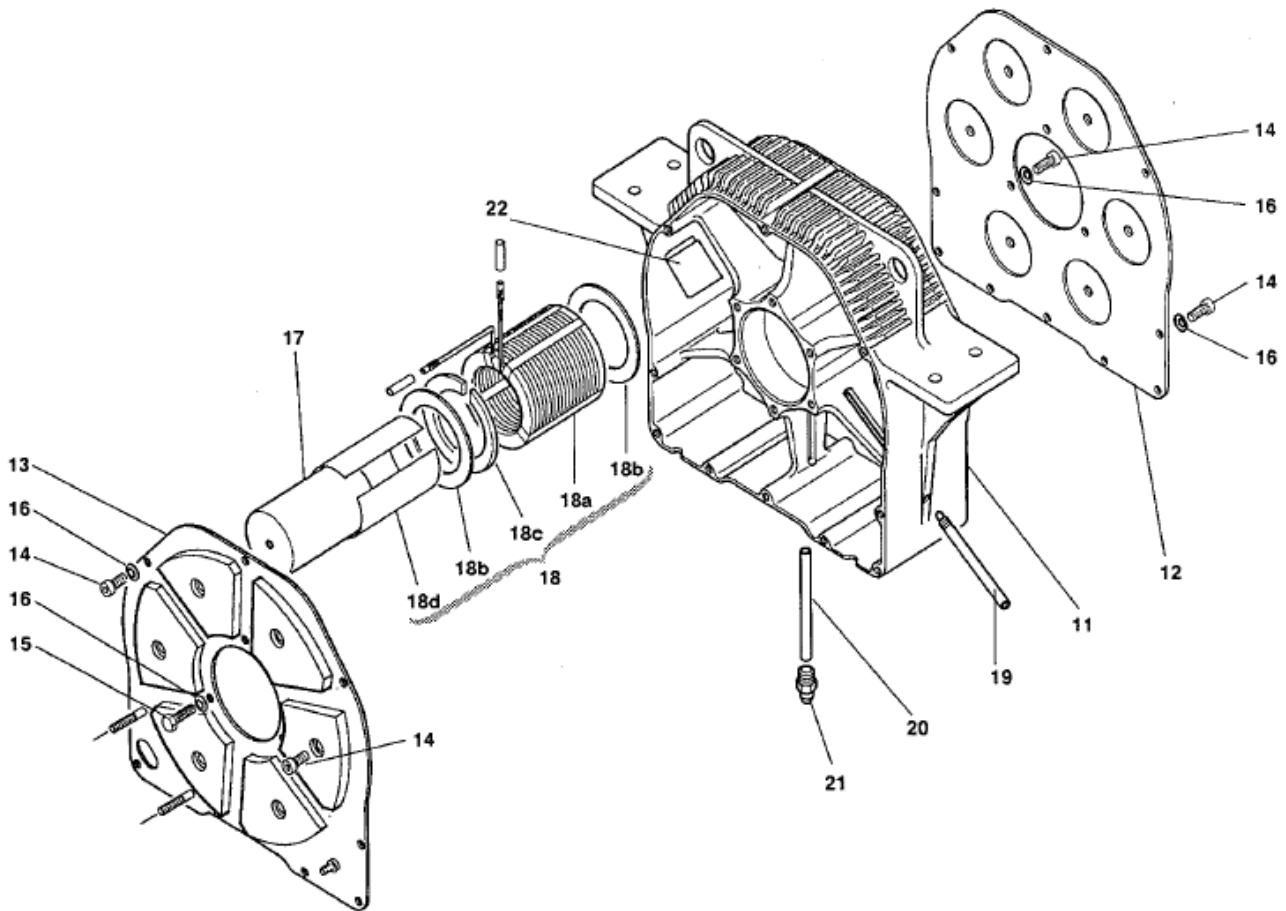


FIGURE 4

Index	1 flange + fasteners assembly	Qty per retarder	Fig.	Set of included studs item d		Set of included nuts Item c	
				Qty	TELMA n°	Qty	TELMA n°
103	VB 107 331	2	1	1	10000xxx set of x studs VF 131 190 (4 x M10x1.50mm)	1	10000059 set of 8 nuts VF120120 (4 x M10x1.50mm)
104	VB 107 327	2	2	1	10000084 set of 4 studs VF 131 300 (4 x M12x1.50mm)	1	10000194 set of 8 nuts VF120160 (4 x M12x1.50mm)
121	VB1001008	2	2	1	10000084 set of 4 studs VF 131 300 (4 x M12x1.50mm)	1	10000194 set of 8 nuts VF120160 (4 x M12x1.50mm)
122	VB 107 985	2	2	1	10000240 set of 4 studs VF 131 150 (4 x M10x1.00mm)	1	10000193 set of 8 nuts VF120140 (4 x M10x1.00mm)
123	VB 107 329	2	3	2	10000240 set of 4 studs VF 131 150 (6 x M10x1.00mm)	1	10000193 set of 8 nuts VF120140 (6 x M10x1.00mm)
128	VB 107 628	2		1	10000080 set of 4 studs VF 131 110 (4 x M10x1.00mm)	1	10000193 set of 8 nuts VF120140 (4 x M10x1.00mm)
134	VB 107 330	2	4	1	10000xxx set of x studs VF 131 140 (8 x M10x1.50mm)	1	10000059 set of 8 nuts VF120120 (8 x M10x1.50mm)
154	VB 107 328	2	2	1	10000xxx set of x studs VF 130 120 (4 x M12x1.50mm - 7/16")	1	10000166 set of 4 nuts VF120370 (4 x 7/16")
179	VB 107 629	2	2	1	10000240 set of 4 studs VF 131 150 (4 x M10x1.00mm)	1	10000193 set of 8 nuts VF120140 (4 x M10x1.00mm)

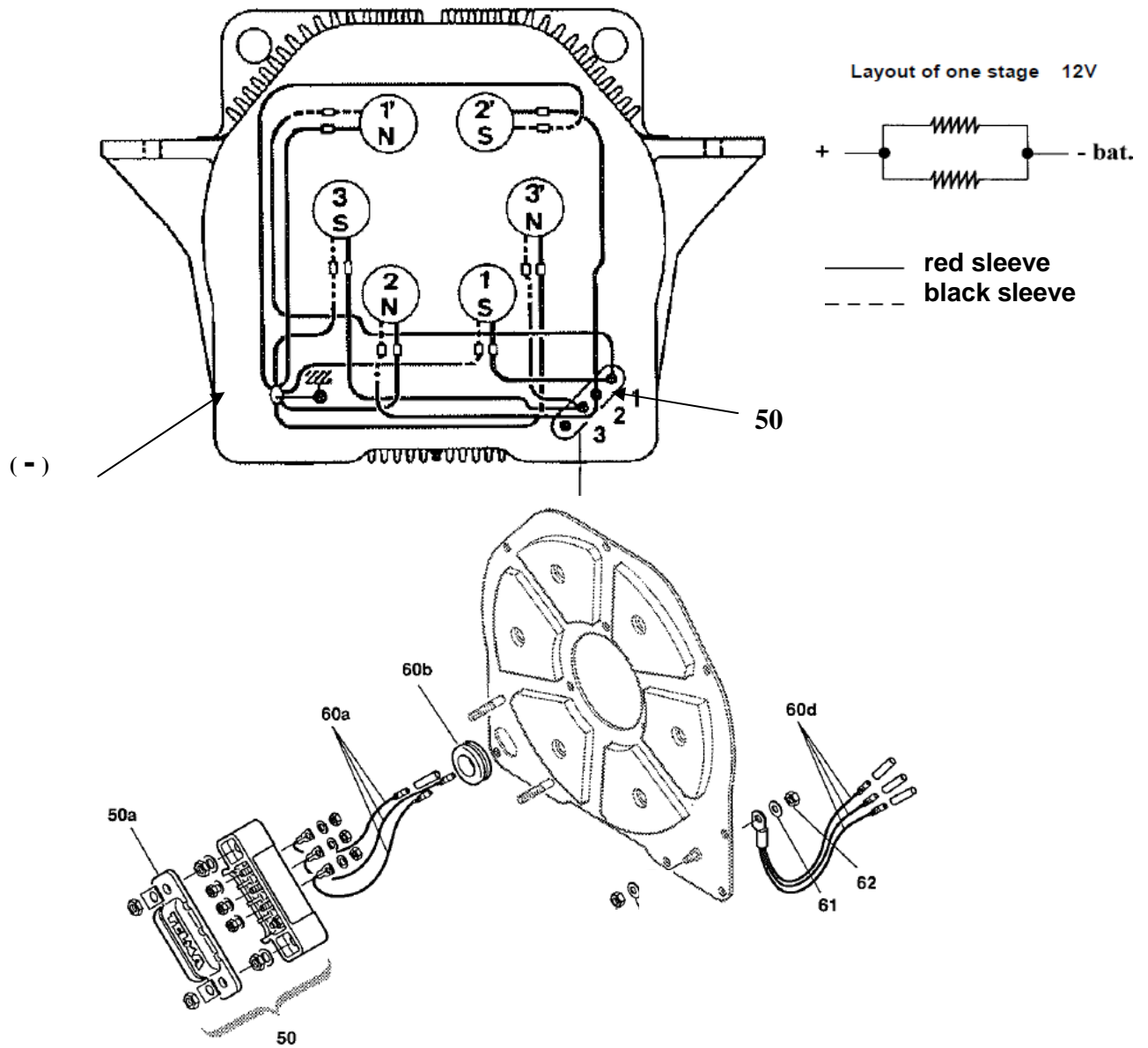
IMPORTANT: the studs must be degreased and fitted in the flanges with locking compound. It is advised to replace the self locking nuts, item c, each time the drive shafts are being removed.

STATOR COMPONENTS



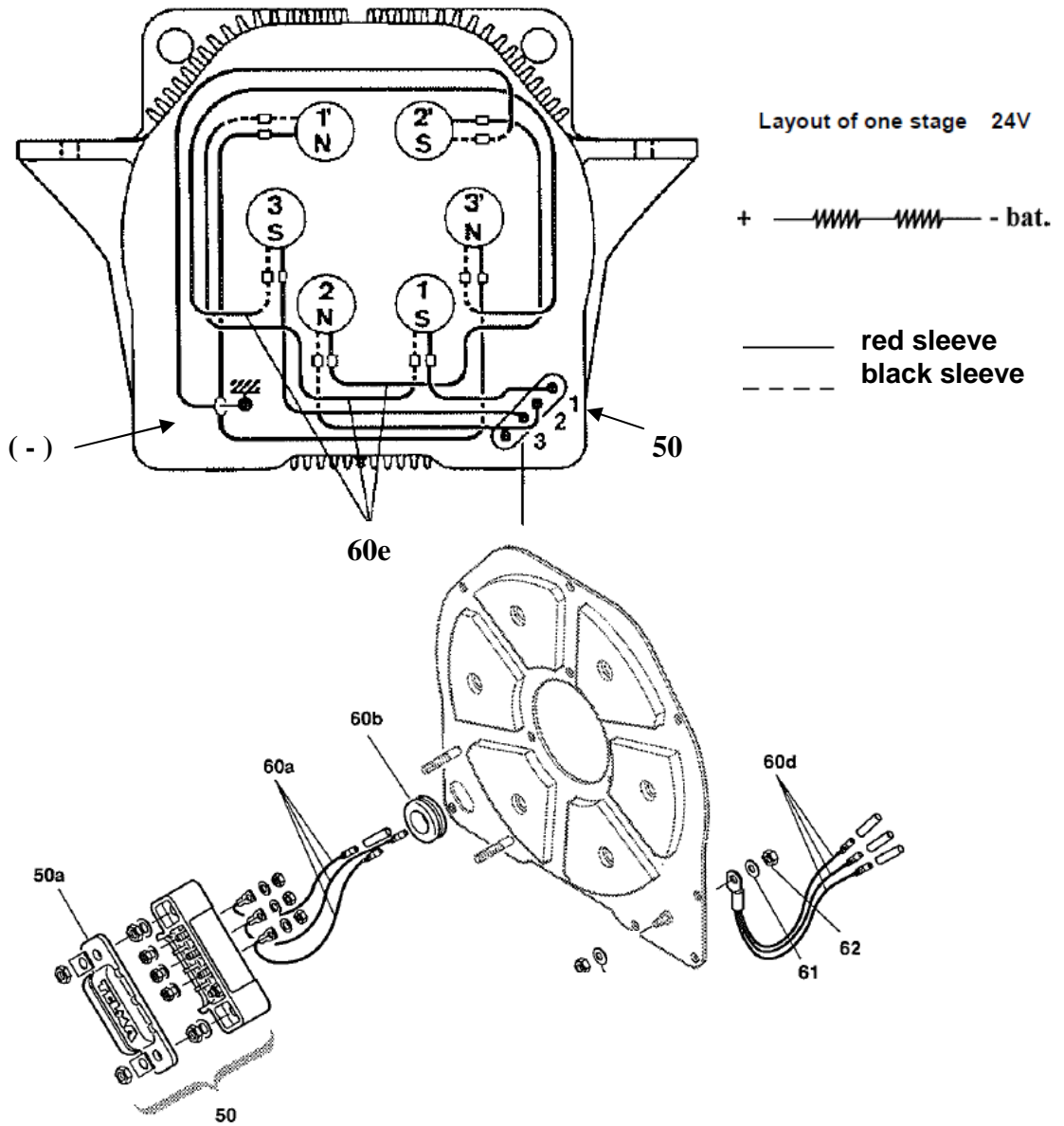
Item	Description	Qty	TELMA n°
11	Stator housing	1	/
12	Pole shoe plate	1	VB 107 414
13	Pole shoe plate (connecting block side)	1	VB 107 444
14	Set of 10 cap socket screws VF 108 130 (M8 x 1.25mm)	4	10000040
15	Hex. screw M8 x 1.25mm	3	VF 100 210
16	Set of 18 contact washers VF 200 310 (Z8)	2	10000098
17	Core	6	VB 515 099
18	Coil assembly (including items 18a to 18d):		
	- for AE30-32 (Cu)	6	VD 310 577
	- for AE30-35 (Al)	6	VD 310 538
19	Vent tube	1	VB 515 093
20	Greasing pipe (fitted until serial number)	1	VB 500 230
21	Grease nipple (fitted until serial number)	1	VF 500 160
/	Grease cartridge 417g (Supertelmaco 3)	/	VJ 200 340
22	Set of 6 coil outer insulators	1	VB 202 036

12V internal wiring



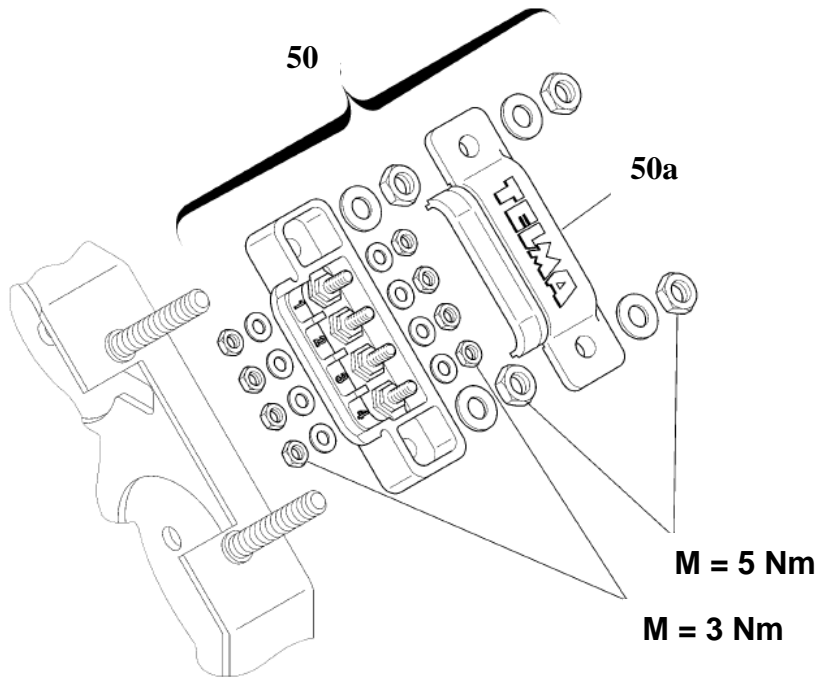
Item	Description	Qty	TELMA n°
50	Connecting block assembly	1	VD 408 041
50a	Lid for connecting block	1	VD 503 622
60	Complete internal wiring set including: 60a 1 set of connecting block wires 60b 1 cable conduit 60c 1 tube of silicone compound 60d 1 set of return wires	1	VD 408 496

24V internal wiring

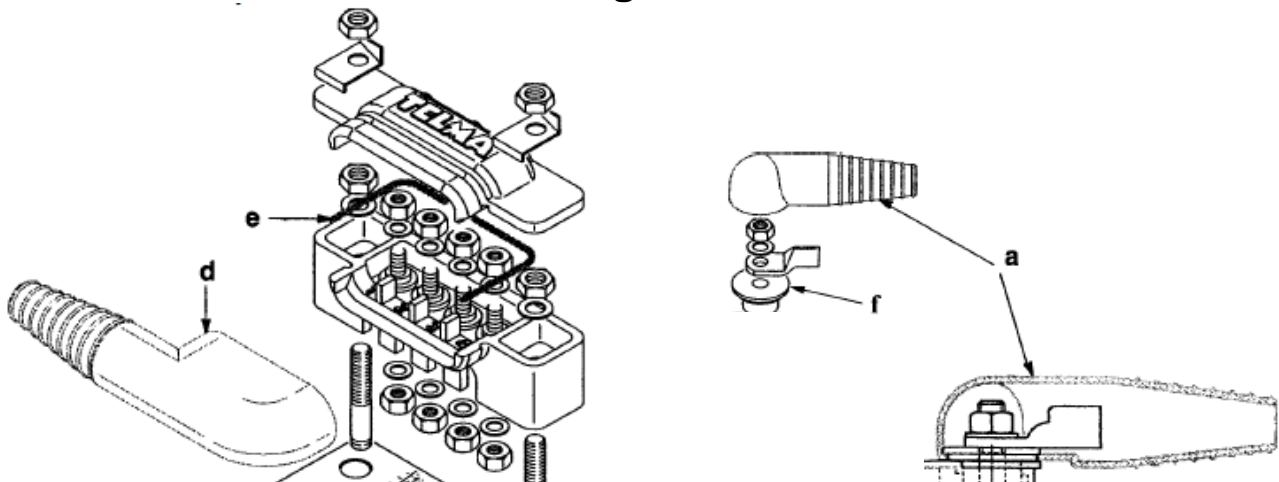


Item	Description	Qty	TELMA n°
50	Connecting block assembly	1	VD 408 041
50a	Lid for connecting block	1	VD 503 622
60	Complete internal wiring set including: 60a 1 set of connecting block wires 60b 1 cable conduit 60c 1 tube of silicone compound 60d 1 set of return wires 60e 1 set of connecting wires (24V)	1	VD 408 497

Connecting block VD 408 041 item 50

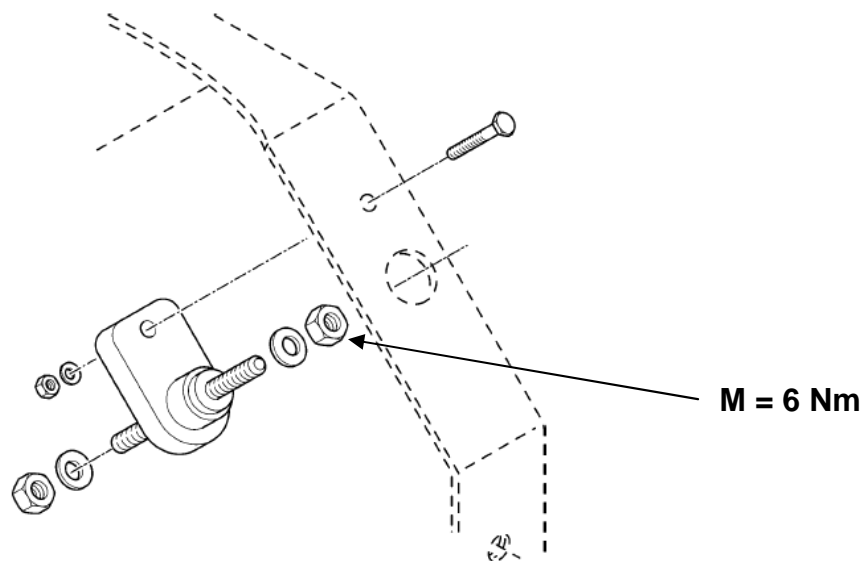


Silicone boots for cable sealing



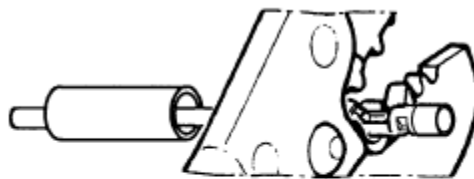
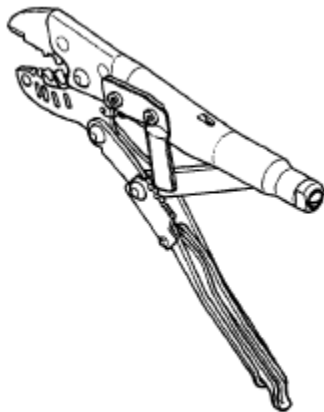
Item	Description	Sealing kit VD 107 556	Sealing kit VD 107 377
		Quantity	
a	Silicone boot for return terminal	/	1
b	Silicone boot for connecting block	1	1
e	Silicone grommet	1	1
f	Stepped washer	/	1

Insulated return terminal VD 408 597 (quantity 2, fitted since October 2010)



Crimping tool

In certain cases it can be necessary to replace damaged crimped connectors. Only genuine TELMA parts (see below repair kit VD 408 491) and suitable crimping tool should be used.

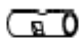
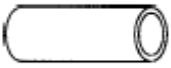



Crimp the terminal using the last notch of the crimping tool.

IMPORTANT:

Remove the insulating varnish of the coil wire before crimping the crimp connector.

Repair kit VD 408 491

	Quantity	Description
	16	Crimp connector
	16	Viton sleeve
	8	Red shrinking sleeve